

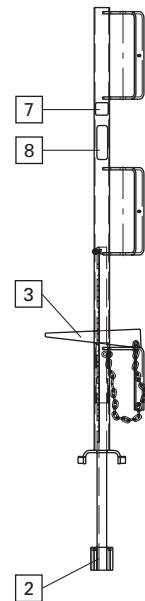
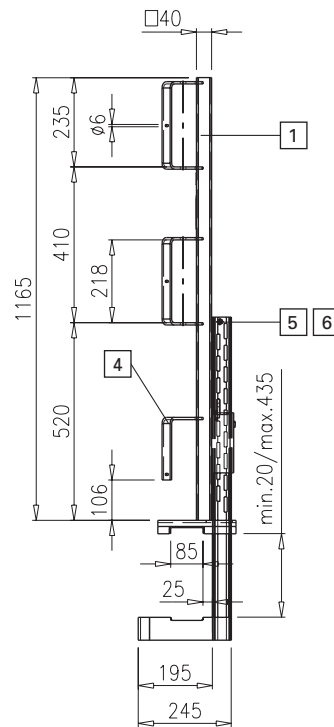
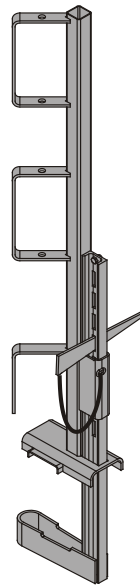
Handrail clamp S

11.45

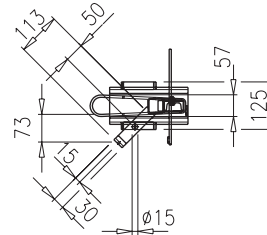
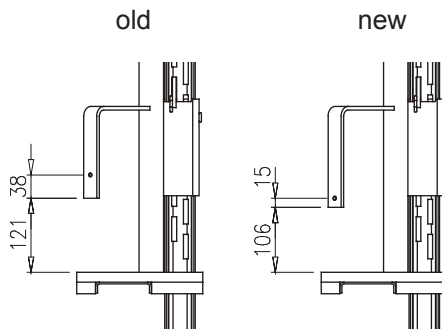
580470000

Schutzgeländerzwinge S

Galvanised / verzinkt



Detail



List of components

Teilleiste

Pos.	Name Bezeichnung	Art. n° Teil-Nr.	Piece Stk.
1	Railing tube, complete	500470001	1
2	Height adjustment, complete	500470002	1
3	Wedge with chain for handrail clamp S	500470780	1
4	Toe board clip galv.	500470730	1
5	Hexagon screw M8x16 (DIN 933)	Id.Nr. 019830	1
6	Hexagon nut M8 self-locking (DIN 985)	Id.Nr. 019336	1
7	Label "Doka-Logo" 75x33mm	508247910	1
8	Label "DGUV test 12245" 100x28mm	500470900	1

Is used for erecting safety railings along exposed outer edges.

Can be clamped to platforms, floor-slab formwork, wall formwork and concrete floor-slabs.

Clamping range: from 20 to 435 mm

It can be turned by 90° (enabling it to be clamped to the end of the beam either parallel or perpendicular to it). The 45°-angled loops mean that guard-rail boards can be inserted in either direction.

The additional drilled holes make it possible to mount screw-on couplers, for erecting guard rails using scaffolding tubes.

Noticeable feature differentiating new model from predecessor:

- different GS symbol
- longer brackets for the guard-rail boards (see close-up)